

# NETx KNX IP Secure Interface

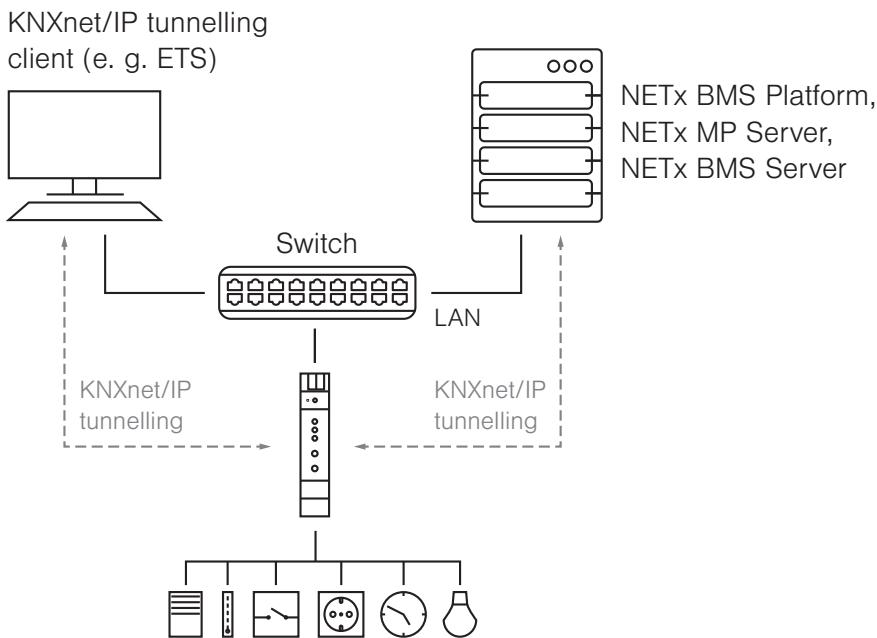
Data sheet

Bus powered interface between IP and KNX

## Application area

The KNXnet/IP interface is used to connect a PC (e.g. BMS server, visualization, ETS, ...) to the KNX network. The connection is made through LAN (IP). The IP address can be retrieved from a DHCP server or it can be configured manually (ETS). Power is supplied via the KNX bus.

The device supports KNX Security which can be enabled in ETS. With its interface functionality (tunnelling) KNX security prevents from unauthorized access. The buttons are used for diagnostic purposes. The LEDs indicate the operating status and communication errors on the bus.



## ! ATTENTION

- The device must be mounted and commissioned by an authorized electrician.
- The prevailing safety rules must be heeded.
- The device must not be opened.
- For planning and construction of electric installations, the relevant guidelines, regulations and standards of the respective country are to be considered.

## Technical data

### Electrical safety

- Protection (EN 60529): IP 20

### CE marking according to

- EMC directive 2014 / 30 / EU
- RoHS directive 2011 / 65 / EU
- EN 50491-3: 2009
- EN 50491-5-1: 2010, EN 50491-5-2: 2010, EN 50491-5-3: 2010
- EN 61000-6-2: 2005, EN 61000-6-3: 2007 + A1: 2011
- EN 50581: 2012

### Environmental requirements

- Ambient temp. operating: - 5 ... + 45 °C
- Ambient temp. Non-op.: - 25 ... + 70 °C
- Rel. humidity (non-condensing): 5 % ... 93 %

### Mechanical data

- Housing: plastic (PC)
- DIN rail mounted device, width: 1 unit (18 mm)
- Weight: approx. 40 g

### Controls and indicators

- 2 buttons and 3 LEDs, multicolor
- KNX programming button with LED (red)

### Ethernet

- 100BaseT (100Mbit/s)
- Supported Internet protocols ARP, ICMP, IGMP, UDP/IP, TCP/IP, DHCP and Auto IP

### KNX

- Medium TP
- Interface protocol: cEMI
- Max. APDU length: 55
- Device model: System B
- Up to 8 KNXnet/IP Tunneling connections simultaneously
- KNXnet/IP Security (AES-128)

### Power supply

- KNX bus approx. 20mA

### Connectors

- Bus connector for KNX (red/black)
- LAN RJ-45 socket

### Installation instructions

- The device may be used for permanent interior installations in dry locations, within distribution boards or small casings with DIN rail.